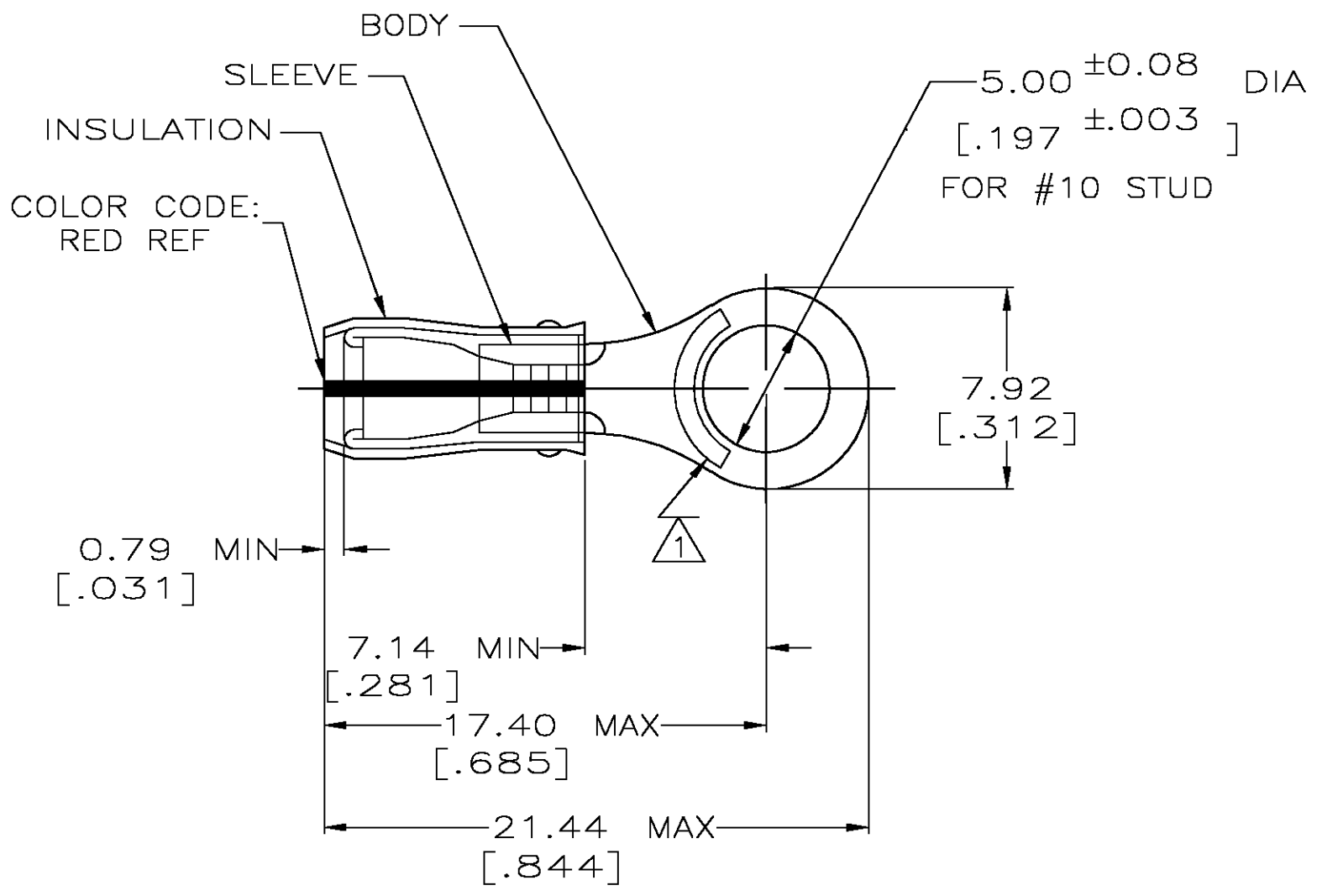


THIS DRAWING IS UNPUBLISHED. RELEASED FOR PUBLICATION
 © COPYRIGHT BY TYCO ELECTRONICS CORPORATION. ALL RIGHTS RESERVED.

LOC	DIST	REVISIONS					
		P	LTR	DESCRIPTION	DATE	DWN	APVD
G	14		K	REV PER 0G3A-0582-04	03SEPT04	JR	TM



- 1 STAMP AMP 22-18* APPROX AS SHOWN
22-16 TERMINALS ARE STAMPED 22-18 IN
ACCORDANCE WITH MILITARY SPEC MIL-T-7928
COMMERCIAL WIRE RANGE IS 22-16
- 2 WIRE INSULATION DIA: .080 - .125
- 3 TONGUE MATERIAL THK: 0.79^{±0.05} [.031^{±.002}]
- 4 TIN/LEAD (93-7) PLATE PER ASTM B545.
(3% MIN LEAD CONTENT)
- 5 GOLD PL PER ASTM B488, TYPE 2, GRADE C,
OVER NICKEL PER (QQ-N-290).
- 6 SUPERSEDED BY 53409-1
- 7 MATERIAL: BODY & SLEEVE- CU PER ASTM B152
INSULATION - PVF2, COLOR - NATURAL

-	4	100	LOOSE PIECE, BOX	8-53409-1
-	-	-	LOOSE PIECE	53409-5 6
-	5	-	LOOSE PIECE	53409-3
M 7928/4-103 CLASS 1 & 2	4	-	LOOSE PIECE	53409-1
MILITARY P/N & CLASS	FINISH	QTY	PACKAGE TYPE	PART NO.

**AMP INCORPORATED
CUSTOMER SERVICE SYSTEMS**

FOR ADDITIONAL PRODUCT INFORMATION OR COPIES OF DRAWINGS AND TECHNICAL DOCUMENTS
 PRODUCT INFORMATION CENTER
 1-800-522-6752

FOR APPLICATION TOOLING ASSISTANCE CENTER
 TOOLING INFORMATION
 1-800-722-1111

FOR ORDER ENTRY
 1-800-526-5142

MAX RECOMMENDED OPERATING TEMPERATURE:
150°C MAX

VOLTAGE RATING:
N/A

CIRCULAR MIL AREA:
0.26-1.65mm² [509-3260]
STRANDED

THIS DRAWING IS A CONTROLLED DOCUMENT FOR AMP INCORPORATED. IT IS SUBJECT TO CHANGE AND THE CONTROLLING ENGINEERING ORGANIZATION SHOULD BE CONTACTED FOR THE LATEST REVISION.

THIS DRAWING IS A CONTROLLED DOCUMENT.

DIMENSIONS: MM [INCHES]

TOLERANCES UNLESS OTHERWISE SPECIFIED:

0 PLC	± -
1 PLC	± -
2 PLC	± 0.20 [.008]
3 PLC	± -
4 PLC	± -
ANGLES	± -

MATERIAL: 7

FINISH: BODY: SEE TABLE 4
SLEEVE: SEE NOTE 4

DWN DK SCHRUM 06/16/93
 CHK RE HERSEY 7/6/93
 APVD M ELLIS 7/6/93

tyco Electronics Tyco Electronics Corporation
 Harrisburg, Pa 17105-3608

NAME: TERMINAL, RING TONGUE, PVF2, PIDG
 WIRE SIZE: 22-16 AWG

PRODUCT SPEC: 108-11023
 APPLICATION SPEC: NOT AVAILABLE

SIZE: A3 CAGE CODE: 00779 DRAWING NO: C-53409 RESTRICTED TO: -

WEIGHT: -

CUSTOMER DRAWING SCALE: 4:1 SHEET: 1 OF 1 REV: K